

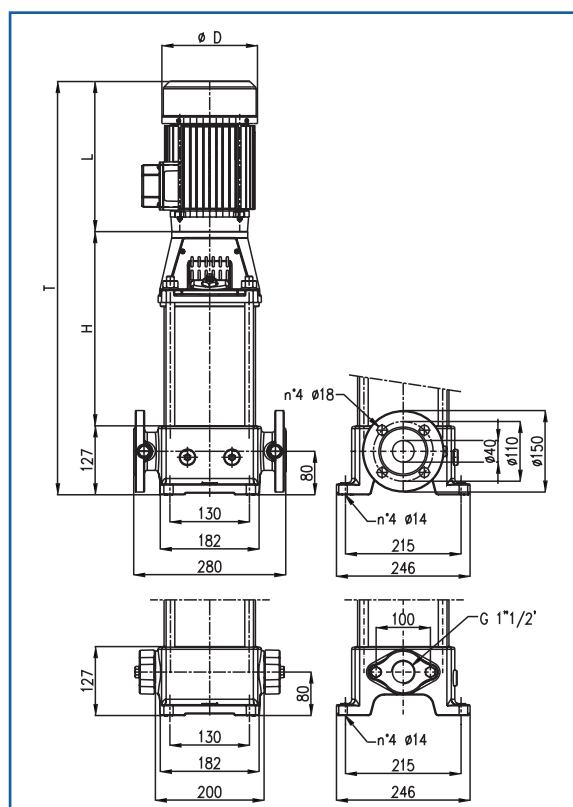
MK40/R

≅ 2900 1/min

CARATTERISTICHE IDRAULICHE • HYDRAULIC FEATURES

| Tipo Type | P ₂ | | Q | H | | | | | | | | |
|--------------|----------------|-----|----------|-------------------|-------|-------|-------|-------|-------|------|------|-----|
| | kW | HP | | U.S.g.p.m. | | | | | | | | |
| | | | | 0 | 18 | 22 | 31 | 40 | 44 | 48,5 | 53 | |
| | | | | m ³ /h | 0 | 4 | 5 | 7 | 9 | 10 | 11 | 12 |
| | | | | l/min | 0 | 67 | 83 | 117 | 150 | 167 | 183 | 200 |
| MK40/R5 | 1,5 | 2 | H (m) | 52,5 | 46,5 | 44 | 39,5 | 31,5 | 27 | 21 | | |
| MK40/R6 | 2,2 | 3 | | 63 | 55,5 | 52,5 | 47 | 37,5 | 32 | 25,5 | | |
| MK40/R7 | 2,2 | 3 | | 73,5 | 65 | 61,5 | 55 | 44 | 37,5 | 29,5 | | |
| MK40/R8 | 3 | 4 | | 87 | 74 | 70 | 63 | 50 | 43 | 34 | | |
| MK40/R9 | 3 | 4 | | 94,5 | 83,5 | 79 | 71 | 56,5 | 48,5 | 38 | | |
| MK40/R10 | 3 | 4 | | 105 | 95 | 91 | 81 | 66,5 | 56,5 | 45,5 | 34 | |
| MK40/R11 | 4 | 5,5 | | 115 | 104 | 99,5 | 89 | 74 | 63,5 | 51 | 38,5 | |
| MK40/R12 | 4 | 5,5 | | 126 | 112,5 | 108,5 | 97 | 80 | 70 | 55 | 42 | |
| MK40/R13 | 4 | 5,5 | | 136,5 | 123,5 | 118 | 105 | 87,5 | 76 | 59 | 45,5 | |
| MK40/R14 | 5,5 | 7,5 | | 147 | 133 | 127 | 115 | 95 | 82 | 63 | 49 | |
| MK40/R15 | 5,5 | 7,5 | | 157 | 143 | 136 | 121,5 | 103,5 | 87 | 67,5 | 52,5 | |
| MK40/R16 | 5,5 | 7,5 | | 168 | 152 | 147 | 129 | 110 | 92,5 | 72 | 56 | |
| MK40/R17 | 5,5 | 7,5 | | 178,51 | 161,5 | 156 | 137,5 | 117 | 98,5 | 76,5 | 59,5 | |
| MK40/R18 | 5,5 | 7,5 | | 189 | 171 | 165,5 | 145,5 | 124 | 104 | 81 | 63 | |
| MK40/R19 | 7,5 | 10 | | 199 | 180,5 | 174,5 | 153,5 | 131 | 110 | 85,5 | 66,5 | |
| MK40/R20 | 7,5 | 10 | | 210 | 190 | 182 | 162,5 | 136,5 | 116,5 | 90 | 70 | |
| MK40/R21 | 7,5 | 10 | | 219,5 | 199,5 | 191,5 | 171,5 | 143,5 | 122 | 96 | 73,5 | |
| MK40/R22 | 7,5 | 10 | | 231 | 209 | 201 | 180 | 151,5 | 128,5 | 99 | 77 | |

P₂ Potenza nominale del motore • Rated power of the motor



DIMENSIONI E PESI • DIMENSIONS AND WEIGHT

| Tipo • Type | ∅ D | H | L | T |
|-------------|-----|-----|-----|------|
| MK40/R5 | 185 | 358 | 247 | 732 |
| MK40/R6 | 185 | 390 | 272 | 789 |
| MK40/R7 | 185 | 421 | 272 | 820 |
| MK40/R8 | 210 | 463 | 301 | 891 |
| MK40/R9 | 210 | 494 | 301 | 922 |
| MK40/R10 | 210 | 526 | 301 | 954 |
| MK40/R11 | 210 | 558 | 301 | 986 |
| MK40/R12 | 210 | 589 | 301 | 1017 |
| MK40/R13 | 210 | 642 | 301 | 1070 |
| MK40/R14 | 260 | 674 | 390 | 1191 |
| MK40/R15 | 260 | 705 | 390 | 1222 |
| MK40/R16 | 260 | 737 | 390 | 1254 |
| MK40/R17 | 260 | 768 | 390 | 1285 |
| MK40/R18 | 260 | 800 | 390 | 1317 |
| MK40/R19 | 260 | 831 | 390 | 1348 |
| MK40/R20 | 260 | 862 | 390 | 1379 |
| MK40/R21 | 260 | 894 | 390 | 1411 |
| MK40/R22 | 260 | 926 | 390 | 1443 |